



Minor Surgery

AIM-50[®] & AIM-100[®]

The perfect combination of high intensity, performance, limitless rotation and unparalleled aesthetics.



The Right Light

PHILIPS
burton

Minor Surgery

AIM-50[®] & AIM-100[®]

Limitless rotation, class-leading intensity and endless versatility.

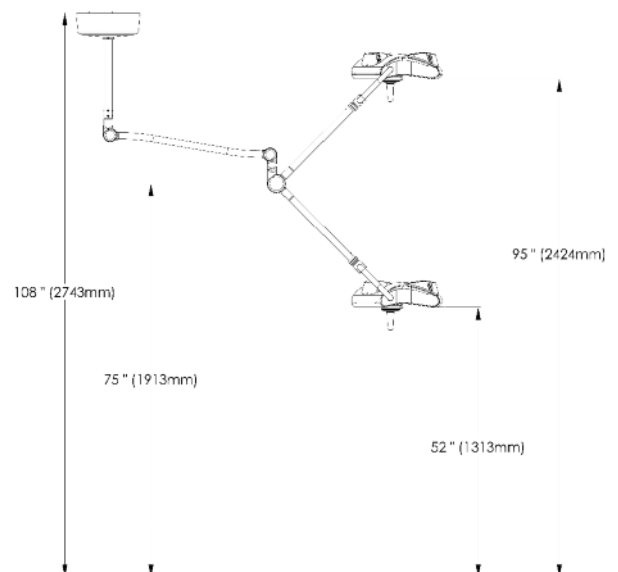
Providing both amazing value and unparalleled aesthetics, Burton's AIM-100[®] and AIM-50[®] also boast limitless rotation on ceiling mounts (a feature previously available only on OR type lights). Along with highest intensity illumination, they deliver very smooth focus and superior maneuverability. A longer arm system ensures that either light can be positioned in the widest range of positions possible, making them ideal for outpatient procedures in a variety of settings and practices including trauma centers, ERs, ambulatory surgery centers, ICUs, physician offices, clinics, plastic surgery, dermatology and ophthalmology.

Designed to meet even the most demanding healthcare facility's specifications for high-intensity, cool operation and low cost.



Common Features

- Uses three quartz halogen bulbs – each rated with a 2000-hour bulb life. Bulbs wired in parallel for continuous operation
- Compact 20" (51 cm) diameter lighthead
- Extremely smooth focus mechanism with center sterilizable handle
- 360° limitless arm and mounting system rotation around vertical axes (on single ceiling models)
- Cool operation for long hours of use
- 120V standard; 100 and 230 / 240V models available
- 120V standard; 100 and 230 / 240V models available
- IEC/UL 60601-1 / IEC 60601-2-41 / IEC/EN 60601-1-2; CAN/CSA C22.2 601-1 M90 certified
- CE marked
- 5-year limited warranty
- Assembled in USA



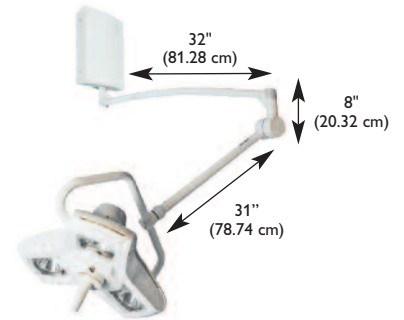
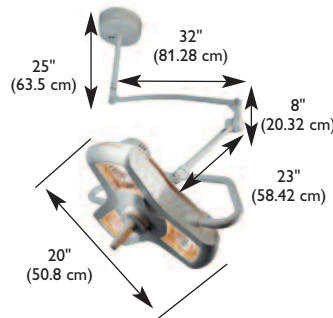
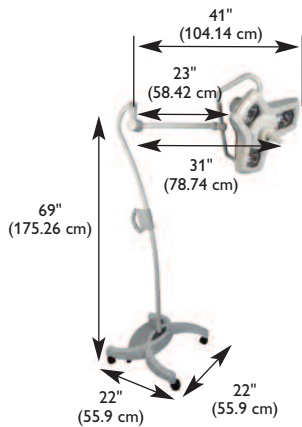


AIM-50®

- High-intensity of 45,000 (4181 fc) at 1 meter
- 3100 K color temperature offers natural and true coloring
- High CRI (Color Rendering Index) of 96

AIM-100®

- High-intensity of 63,000 lux (5800 fc) at 1 meter
- 3500 K color temperature offers natural and true coloring
- High CRI (Color Rendering Index) of 97



Sample Model No: A53W = AIM-50®, 230 / 240V, Wall Mount		
AIM-50® & AIM-100®	Voltage	Model
A5 = AIM-50® A10 = AIM-100®	0 = 120V 3 = 230 / 240V	FL = Floorstand SC = Single Ceiling DC = Double Ceiling W = Wall Mount

Accessories	
#1017111PK	Set of 3 AIM-100® Replacement Bulbs
#6000120K	Set of 3 AIM-50® Replacement Bulbs
#1017040	Sterilizable / Autoclavable Handle
#0008100PK	Disposable Handle Covers, 25/box

Summary of technical data

	AIM-50®	AIM-100®
Illuminance:*	45,000 lux (4181 fc) at 1 meter	63,000 lux (5800 fc) at 1 meter
Color temperature:	3100 K	3500 K
CRI	96	97
Light sources (halogen):	50 W, 12V, bi-pin	35 W IRC, 12V, bi-pin
Power:	184 Watts	133 Watts
Total weight:	44 lbs. (floorstand), 43 lbs. (single ceiling)	35 lbs. (floorstand), 34 lbs. (single ceiling)

AIM-50® and AIM-100® Common Technical Specs

Diameter of lighthouse:	20" (51 cm)
Light field diameter:	9.6" - 12" (25 cm - 31 cm)
Depth of Illumination:	47" (119 cm)
Focusing:	Adjustable by rotating center handle
Rotation:	360° (limitless) on single ceiling models
Sterilizable handle:	Locks into position with one hand
Number of bulbs:	3
Rated life of halogen lamp:	2,000
Swivel radius of lamp housing-ceiling mounted:	63" (160 cm) max.* **
Minimum ceiling height/maximum ceiling height:	8 ft. / 12 ft. (244 cm / 366 cm)
Height movement of lamp housing-ceiling mounted:	41" (104 cm) vertical movement
Mounting options:	Single Ceiling, Double Ceiling, Floor and Wall
Seismic calculations available:	Yes
Bulb change mechanism:	Changes from top with Phillips screwdriver
AIM-100® and AIM-50® replacement bulbs:	AIM-100® and AIM-50® replacement bulbs, sterilizable handles and disposable handle covers are available
Applications:	Emergency Room, Trauma Center, Cath Lab, Outpatient Surgery Ophthalmology and Clinics
Certifications/Approvals:	IEC/UL 60601-1 / IEC 60601-2-41 / IEC/EN 60601-1-2; CAN/CSA C22.2 601-1 M90 certified CE marked
Product warranty:	5-year parts and labor
Origin:	Assembled in the USA

*The optical data are at nominal values based on measurements done according to the UL/IEC performance standards at 120V

** With extension arm and spring arm extended from center of mount to center of head



Philips Burton
21100 Lassen Street Chatsworth, CA 91311
Phone: 818-701-8700 Fax: 818-701-8725
www.burtonmedical.com

© 2011 Philips Burton. All rights reserved. Product designs protected by copyright.
We reserve the right to change details of design, materials and finishes.

LIT-0006, Rev. 5