

Procedure

Outpatient[®] II & CoolSpot II[®]

Individually or in combination, Philips Burton's Outpatient[®] II and CoolSpot II[®] are the right lights for minor surgery and procedures!

The Right Light

PHILIPS
burton

Outpatient® II

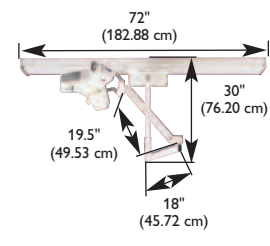
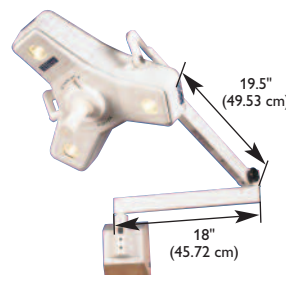
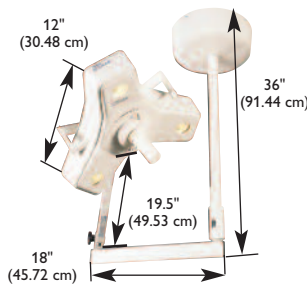
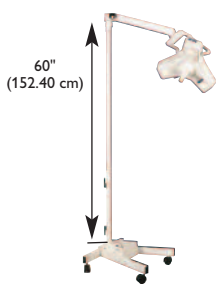
The perfect blend of minimal heat output and high color temperature, low-maintenance and top performance.



The Outpatient® II is the documented industry leader for procedure lights. More physicians choose the Outpatient® II than any other procedure light for focusable flood-type light, maximum intensity and shadow-free operation. With minimal heat output and high color temperature, the Outpatient® II is the perfect low-maintenance, top performing light for nearly every application in the hospital, surgical suite or physician's office.

Features

- 86,000 lux (7990 fc) at 24" (61 cm)
- 3300 K color temperature
- CRI (Color Rendering Index) of 94
- Focuses with central removable, autoclavable SteriHandle™
- Friction knob allows user to adjust friction on the self-balancing arm positioning to desired tension without a tool
- Cool operation ensured with heat filters and dichroic coatings
- Operation provided by three 50-watt halogen bulbs, each with 2000-hour average bulb life, minimizes shadows
- Bulbs are wired in parallel to ensure continuous operation
- Design allows removal or replacement of SteriHandle™ with one hand (for ensuring sterile procedures)
- Floorstand units include footswitch, locking casters and cord wrap
- Mounting systems meet California Seismic Codes
- 120V model standard; 230 / 240V and 100V models also available
- UL 60601-1/IEC 60601-2-41 certified
- Assembled in USA



Ordering Information

120V Model	230/240V Model	230/240V SP Model*	100V Model	Description
OP216FL	OP225FL	O202FL25	OP215FL	Floorstand
OP216SC	OP225SC	O202SC25	OP215SC	Single Ceiling Mount
OP216DC	OP225DC	O202DC25	OP215DC	Double Ceiling Mount
OP216W	OP225W	O302W25	OP215W	Wall Mount
OP216ST	OP225ST		OP215ST	Single Fastrac™ Mount
OP216DT	OP225DT		OP215DT	Double Fastrac™ Mount

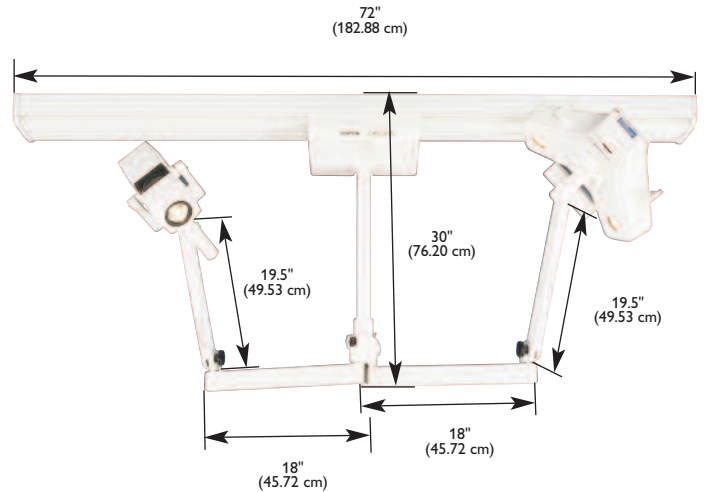
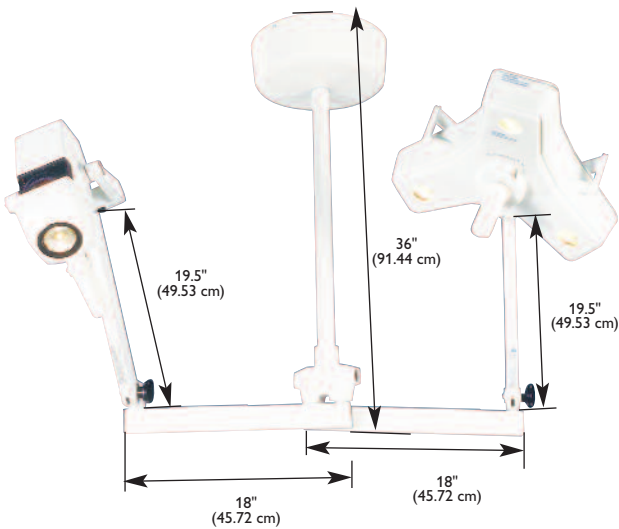
Accessories

00061300PK	Outpatient® II Replacement Bulbs, 3/Box
1008465	Outpatient® II Handle Replacement
0008100PK	Light Handle Covers, Sterile, 25/Box

*SP Model refers to Spanish Language Manuals.

Procedure

Outpatient[®] II / CoolSpot II[®]



Note 1: Standard dimensions in inches (centimeters) shown. All ceiling mounts shown on standard 9' (2.74m) ceilings.

Note 2: Standard 30" (76cm) drop tube is generally acceptable for 9' (2.74m) ceilings. If shorter drop tube is required, Philips Burton will manufacture (for additional fees) requested length at time of order only. Special lengths not specified at time of order are subject to additional charges.

Note 3: The optical data are nominal values based on measurements done according to the UL/IEC performance standards at 120V at 24"

Note 4: Contact Philips Burton for part #s on 120V, 50Hz / 230 / 240V, 60Hz models.



Ordering Information

120V Model	230/240V Model	230/240V SP Model*	100V Model	Description
OC516CC	OC525CC	O202CC25	OC515CC	Combo, Ceiling Mount
OC516CT	OC525CT		OC515CT	Combo, Fastrac™ Mount
Accessories				
00061300PK				Outpatient [®] II Replacement Bulbs, 3/Box
1008465				Outpatient [®] II Handle Replacement
0007006PK				CoolSpot II [®] Replacement Bulbs, 3/Box
1008466B				CoolSpot II [®] Handle Replacement
0008100PK				Light Handle Covers, Sterile, 25/Box

*SP Model refers to Spanish Language Manuals.



Authorized Distributor:

MEDICAL EQUIPMENT SPECIALISTS USA

2555 N.W. 102 Ave. # 104 <> Miami <> FL 33172 <> USA
Tel: 786-401-7719 <> Fax: 305-501-4786 <> www.mes-usa.com